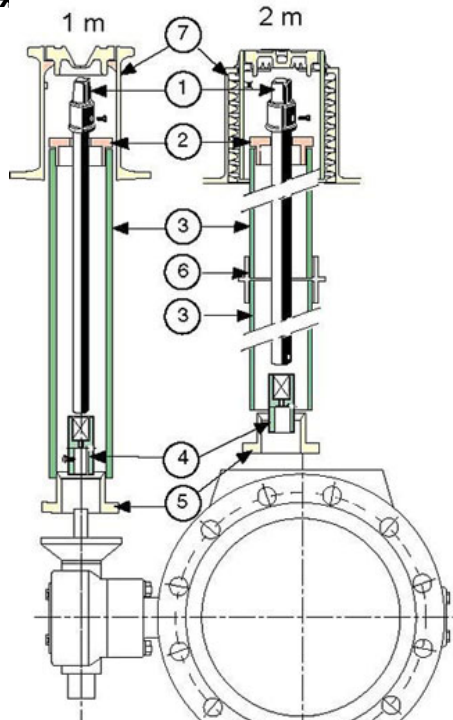


Mounting under surface box - Extension spindle 1 and 2 m (square 28x28)



Item	Description	Number	References
	Mounting under surface box - Extension spindle 1 and 2 m (square 28x28)		
1	Extension spindle with operating cap - Height 1 m	1	RAA28F1
1	Extension spindle with operating cap - Height 2 m	1	RAA28F2
2	Spindle guide cover DI	1	162032
2	Spindle guide cover PVC	1	162033
3	Protection tube (for spindle h=1m : 1 tube) DI	1	RAC10AB
3	Protection tube (for spindle h=2m : 2 tubes) DI	2	RAC10AB
3	Protection tube (for spindle h=1m : 1 tube) PVC	1	RAC11AD
3	Protection tube (or spindle h=2m : 2 tubes) PVC	2	RAC11AD
4	Operating coupling (Depending on valve DN) - See RSEVPXXACC600	1	[RSEVPXXACC600]
5	Support for protection tube DI or PVC - Ø20 (F10)	1	162030
5	Support for protection tube DI or PVC - Ø30 (F14)	1	162029
6	Intermediate support height = 2 m for protection tube DI	1	RAA80DB
6	Intermediate support height = 2 m for protection tube PVC	1	RAA80ED
7	Surface box PAVA type 10 kg H105	1	F1PVAC
7	Surface box PAVA type 14 kg H185	1	F2PVAC
7	Surface box PAVA type 19 kg H150	1	F3PVAC
7	Surface box TOTALE Roadways Round	1	FRTOAB
7	Surface box TOTALE Roadways Hexagonal	1	FRTODB
7	Surface box TOTALE Roadways Square	1	FRTOBB
7	Surface box TOTALE Pathways Round	1	FTTOAB
7	Surface box TOTALE Pathways Hexagonal	1	FTTODB
7	Surface box TOTALE Pathways Square	1	FTTOBB

**ISOLATING VALVES
VALVES**

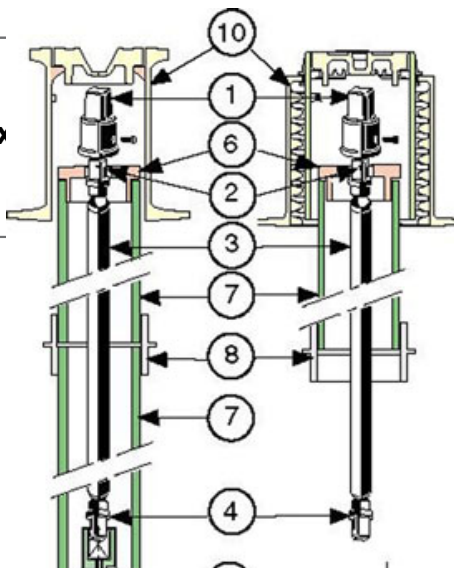


04/01/2021

RSEVPXXACC650

ISOLATING VALVES

Mounting under surface box - Extension VALVES



04/01/2021
 2(Ø20) or 50/60(Ø30)
 RSEVPXXACC650

Item	Description	Number	References
	Mounting under surface box - Extension spindle 3 to 6m - 33/42(Ø20) or 50/60(Ø30)		
1	Operating cap - Height 1 m	1	162082
2 + 4	Adaptor to be welded (square 28) - Ø 20 (33/42)	1	162077
2 + 4	Adaptor to be welded (square 28) - Ø 30 (50/60)	1	163358
3	Extension tube length 3 m - Ø 20 (33/42)	1	162088
3	Extension tube length 4.5 m - Ø 20 (33/42)	1	162231
3	Extension tube length 6 m - Ø 20 (33/42)	1	162090
3	Extension tube length 3 m - Ø 30 (50/60)	1	162229
3	Extension tube length 4.5 m - Ø 30 (50/60)	1	162232
3	Extension tube length 6 m - Ø 30 (50/60)	1	162140
5	Operating coupling (Depending on valve DN) - See RSEVPXXACC600	1	[RSEVPXXACC600]
6	Spindle guide cover DI	1	162032
7	Protection tube DI for L=3 m (Lu=1.5 m x 2)	2	RAC15AB
7	Protection tube DI for L=4.5 m (Lu=1.5 m x 3)	3	RAC15AB
7	Protection tube DI for L=6 m (Lu=1.5 m x 4)	4	RAC15AB
7	Protection tube PVC for L=3 m (Lu= 1.1 m x 3)	3	RAC11AD
7	Protection tube PVC for L=4.5 m (Lu= 1.1 m x 4)	4	RAC11AD
7	Protection tube PVC for L=6 m (Lu= 1.1 m x 6)	6	RAC11AD
8	Intermediate support DI for L=3 m	1	RAA80DB
8	Intermediate support DI for L=4.5 m	2	RAA80DB
8	Intermediate support DI for L=6 m	3	RAA80DB
8	Intermediate support PVC for L=3 m	2	RAA80ED
8	Intermediate support PVC for L=4.5 m	3	RAA80ED
8	Intermediate support PVC for L=6 m	5	RAA80ED
9	Support for protection tube (DI or PVC) - Ø20 (F10)	1	162030
9	Support for protection tube (DI or PVC) - Ø30 (F14)	1	162029
10	Surface box PAVA type 10 kg H105	1	F1PVAC
10	Surface box PAVA type 14 kg H185	1	F2PVAC
10	Surface box PAVA type 19 kg H150	1	F3PVAC
10	Surface box TOTALE Roadways Round	1	FRTOAB
10	Surface box TOTALE Roadways Hexagonal	1	FRTODB
10	Surface box TOTALE Roadways Square	1	FRTOBB
10	Surface box TOTALE Pathways Round	1	FTTOAB
10	Surface box TOTALE Pathways Hexagonal	1	FTTODB
10	Surface box TOTALE Pathways Square	1	FTTOBB