

**ISOLATING VALVES**  
**VALVES**  
DN 40 to 300



03/11/2021

**RSERV21ENW200**

**EURO 20 NEW with flanges serie S14 short version PFA16 Standard**  
**(serie S14 ISO = type 23 = short version between flanges)**



Gate Valve short version Serie S14 according to ISO:

- In compliance with norm NF EN1074-1 and 2 at 2500 cycles and to NF standards
- French Sanitary conformity ACS (16 ACC NY 293)
- 250 microns blue epoxy powder
- Manufacturing at SG PAM Toul Plant (France)
- Unit hydraulic tests in compliance with NF EN12266-1
- Range in CC and ACC version

DN valve	Closing direction	Description	References PN10	References PN16	Mass PN10	Mass PN16
<i>mm</i>		<i>Version</i>			<i>kg</i>	<i>kg</i>
40	Anti-clockwise	Cap	RBA40BDCH	RBA40BDCH	8.8	8.8
50	Anti-clockwise	Cap	RBA50BDCH	RBA50BDCH	10.6	10.6
60	Anti-clockwise	Cap	RBA60BDJH	RBA60BDJH	12.7	12.7
65	Anti-clockwise	Cap	RBA65BDAH	RBA65BDAH	12.7	12.7
80	Anti-clockwise	Cap	RBA80UDBH	RBA80UDBH	14.3	14.3
100	Anti-clockwise	Cap	RBB10BDBH	RBB10BDBH	19.0	19.0
125	Anti-clockwise	Cap	RBB12UDCH	RBB12UDCH	24.3	24.3
150	Anti-clockwise	Cap	RBB15BDCH	RBB15BDCH	32.3	32.3
200	Anti-clockwise	Cap	RBB20BDBH	RBB20BDAH	48.0	47.6
250	Anti-clockwise	Cap	RBB25BDBH	RBB25BDAH	82.0	82.0
300	Anti-clockwise	Cap	RBB30BDBH	RBB30BDAH	137.0	137.0

DN valve	Closing direction	Description	References PN10	References PN16	Mass PN10	Mass PN16
<i>mm</i>		<i>Version</i>			<i>kg</i>	<i>kg</i>
40	Clockwise	Bare shaft	RBA40BBCH	RBA40BBCH	8.6	8.6
50	Clockwise	Bare shaft	RBA50BBCH	RBA50BBCH	10.3	10.3
60	Clockwise	Bare shaft	RBA60BBJH	RBA60BBJH	12.7	12.7
65	Clockwise	Bare shaft	RBA65BNCH	RBA65BNCH	12.7	12.7

**ISOLATING VALVES**  
**VALVES**  
DN 40 to 300



03/11/2021

**RSERV21ENW200**

DN valve	Closing direction	Description	References PN10	References PN16	Mass PN10	Mass PN16
<i>mm</i>		<i>Version</i>			<i>kg</i>	<i>kg</i>
80	Clockwise	Bare shaft	RBA80BNCH	RBA80BNCH	14.3	14.3
100	Clockwise	Bare shaft	RBB10BNCH	RBB10BNCH	19.0	19.0
125	Clockwise	Bare shaft	RBB12BNCH	RBB12BNCH	24.3	24.3
150	Clockwise	Bare shaft	RBB15BBCH	RBB15BBCH	32.3	32.3
200	Clockwise	Bare shaft	RBB20BBBH	RBB20BBAH	48.0	47.6
250	Clockwise	Bare shaft	RBB25BBBH	RBB25BBAH	82.0	82.0
300	Clockwise	Bare shaft	RBB30BBBH	RBB30BBAH	137.0	137.0

DN valve	Closing direction	Description	References PN10	References PN16	Mass PN10	Mass PN16
<i>mm</i>		<i>Version</i>			<i>kg</i>	<i>kg</i>
40	Clockwise	Cap	RBA40BAAH	RBA40BAAH	8.8	8.8
50	Clockwise	Cap	RBA50BACH	RBA50BACH	10.6	10.6
60	Clockwise	Cap	RBA60BPCH	RBA60BPCH	12.7	12.7
65	Clockwise	Cap	RBA65BPCH	RBA65BPCH	12.7	12.7
80	Clockwise	Cap	RBA80BPCH	RBA80BPCH	14.3	14.3
100	Clockwise	Cap	RBB10BPCH	RBB10BPCH	19.0	19.0
125	Clockwise	Cap	RBB12BPCH	RBB12BPCH	24.3	24.3
150	Clockwise	Cap	RBB15BPCH	RBB15BPCH	32.3	32.3
200	Clockwise	Cap	RBB20BABH	RBB20BAAH	48.0	47.6
250	Clockwise	Cap	RBB25BABH	RBB25BAAH	82.0	82.0
300	Clockwise	Cap	RBB30BABH	RBB30BAAH	137.0	137.0

(\*) DN80 : drilling 8 holes. For drilling 4 holes, please replace the 8<sup>th</sup> letter of the reference by the letter H.

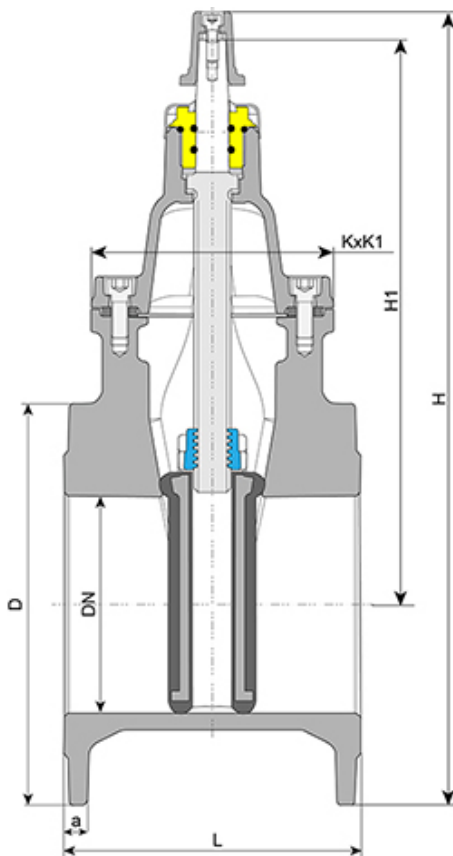
**ISOLATING VALVES**  
**VALVES**  
 DN 40 to 300



03/11/2021

**RSERV21ENW200**

**Dimensions and mass**



Brides ISO PN10 ou PN16

DN	L	H1	H	D	K x K1	a	Number of turns	S x S	S1 x S1
mm	mm	mm	mm	mm	mm	mm		mm	mm
40	140	227	324.0	150	117 x 135	19	16.5 +/- 1	15.2	14.3
50	150	222	326.5	165	117 x 135	19	16.5 +/- 1	15.2	14.3
60	170	264	373.5	185	105 x 138	19	17.5 +/- 1	18.5	17.3
65	170	264	373.5	185	105 x 138	19	17 +/- 1	18.5	17.3
80	180	288	405.0	200	162 x 143.5	19	21 +/- 1	18.5	17.3
100	190	316	448.0	220	188 x 139	19	23.5 +/- 1	20.6	19.3
125	200	358	501.0	250	225.5 x 161.5	19	28 +/- 1	20.6	19.3
150	210	401	563.0	285	256 x 172	19	33.5 +/- 1	20.6	19.3
200	230	508	728.0	340	350 x 216	20	36 +/- 1	25.7	24.3
250	250	620	875.0	400	415 x 235	20	44 +/- 1	28.1	24.3
300	270	751	1036.0	455	476 x 258	25	54 +/- 1	28.1	24.3

**Material and coating**

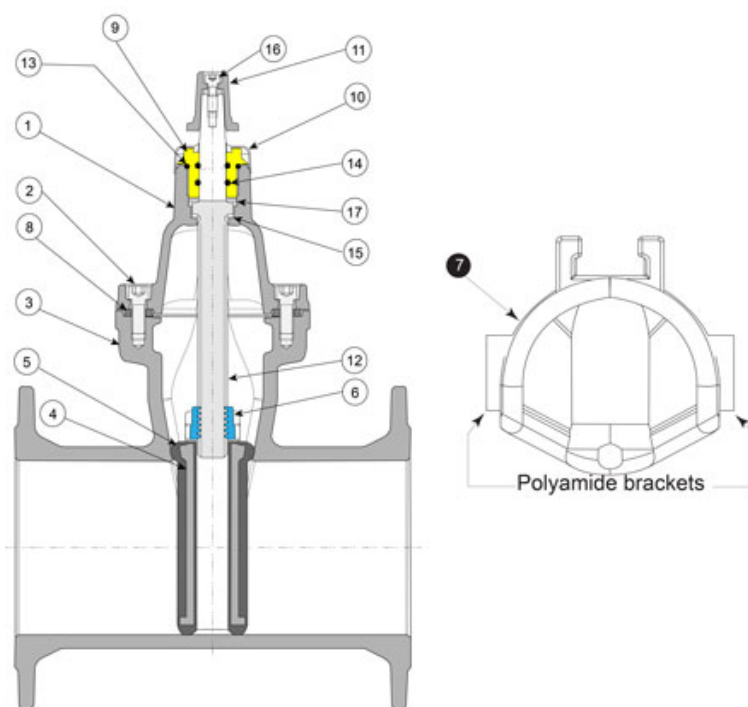
**DN40 to 250**

**ISOLATING VALVES**  
**VALVES**  
DN 40 to 300



03/11/2021

**RSERV21ENW200**



Item	Designation	Material	Coating
1	Bonnet	Ductile iron GS EN GJS 400-15 or 500-7 acc. EN1563	Blue Epoxy (*)
2	Screw	Stainless steel A2-70	-
3	Body	Ductile iron GS EN GJS 400-15 or 500-7	Blue Epoxy (*)
4	Gate core	Ductile iron GS EN GJS 400-15 or 500-7	-
5	Gate protection	EPDM acc. EN681-1	EPDM on ductile iron and polyamide brackets
6	Operating nut	Brass type CuZn39Pb2 acc. EN12164	-
7	Bracket	Polyamide type PA 6-6	-
8	Bonnet-check piece gasket	EPDM Class 70 WA according to EN581	-
9	Bush	Brass type CuZn39Pb2 or CuZn40Pb2 according to EN12164	
10	Wiper seal	Nitrile NBR 70	-
11	Cap	Ductile iron GS EN GJS 400-15 or 500-7	Epoxy 70 microns
12	Operating stem	Stainless steel X20Cr13 acc. EN10088-3	-
13	O'ring	Nitrile NBR 70	-
14	Seal bush	Nitrile NBR 70	-
15	Thrust washer	Polyamide type PA 6-6	-
16	Screw	Galvanised steel	-
17	Bearing bonnet joint	Polyamide type PA 6-6	-

(\*) thickness 250 microns mini average according prescriptions of EN14901

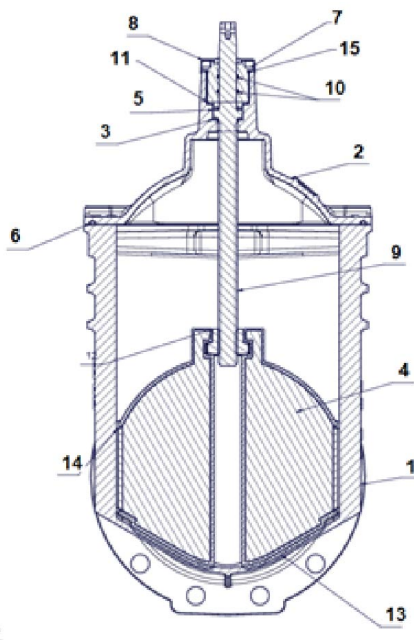
**ISOLATING VALVES**  
**VALVES**  
 DN 40 to 300



03/11/2021

**RSERV21ENW200**

**DN300 to 400**



Item	Designation	Material	Coating
1	Body	Ductile iron GS EN GJS 400-15 or 500-7 acc. EN1563	Blue Epoxy (*)
2	Bonnet	Ductile iron GS EN GJS 400-15 or 500-7 acc. EN1563	Blue Epoxy (*)
3	Thrust washer	Polyamide type PA 6-6	-
4	Gate core	Ductile iron GS EN GJS 400-15 or 500-7 acc. EN1563	-
5	Bearing bonnet joint	Polyamide type PA 6-6	-
6	Joint body/bonnet	EPDM	-
7	Bush	Brass type CuZn39Pb2 or CuZn40Pb2 according to EN12164	-
8	Wiper seal	-	-
9	Operating stem	Stainless steel X20Cr13 acc. EN10088-3	-
10	O'ring	NBR	-
11	O'ring	NBR	-
12	Operating nut	Brass type CuZn39Pb2 or CuZn40Pb2 according to EN12164	-
13	Gate protection	EPDM acc. EN681-1	EPDM on ductile iron and polyamide brackets
14	Bracket	Polyamide type PA 6-6	-
15	O'ring	NBR	-
16	Screw	Stainless steel	-

(\*) thickness 250 microns mini average according prescriptions of EN14901

**ISOLATING VALVES**  
**VALVES**  
 DN 40 to 300



03/11/2021

**RSERV21ENW200**

**Maintenance**

**Torque for EURO 20 New valves**

DN	Tightening of bush	Tightening of screw body/bonnet
	Nm	Nm
40/50	200	40
65	200	50
80	200	50
100	200	50
125	200	55
150	200	60
200	200	70
250	300	90
300	350	120

**Conditioning**

DN	SERIE 14		
	Pallet dimensions	Nb pieces	Mass (kg)
40	Europe 1200x800x409	20	206
50	Europe 1200x800x419	20	234
65	Europe 1200x800x439	16	234
80	Europe 1200x800x449	10	173
100	Europe 1200x800x469	10	220
125	Europe 1200x800x494	8	224
150	Europe 1200x800x519	5	192
200	Pallet 1150x1600x535	6	365
250	Pallet 1150x1600x535	4	363